

## Road Guard



Road Guard Installed



1. Press the Mute Button and connect the power to the power port



2. Take off the cover of adhesive tape

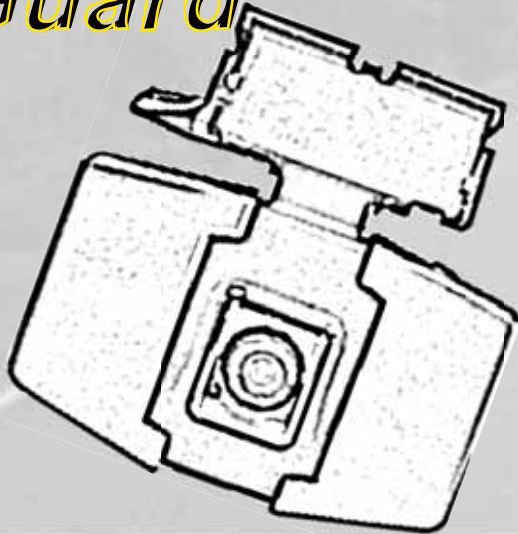


3. Locate the device in the middle of the windshield



4. Attach the device to windshield and adjust the angle of the device

## Road Guard



One Camera Lane Departure Warning System

## Road Guard



**SAY**  
SECURITY GROUP USA LLC

**SAY**  
SECURITY GROUP USA LLC

# Road Guard



## Video Analysis Software

*Record the images and vehicle data before and after the accident*



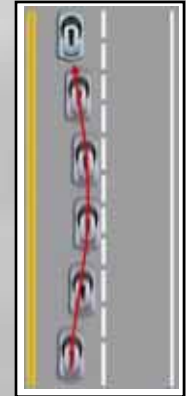
- 3 axis accelerometer senses the moment of the accident
- Records 12 seconds before and 6 seconds after accident
- Simulation program analyzes the recorded images



## Lane Keeping Assistant System

*Makes a beginner driver, a skilled driver within 5 seconds*

- helps beginner drive well with the shortest time
- Sees that driver is going off road, and alarms the driver
- Sees driver going to center lane and warns the driver to keep the same lane



## Lane Departure Warning System

*No more drowsy driving, when you have the Lane Departure Warning System*



- Cross a road line and Road Guard will detect it and make a sound
- High Performance processing detects lane departure in real-time



## Stop&Go Warning System

*Alarm within ONE Second after the departure of the vehicle ahead.*

- Road Guard prompts you as soon as the car in front of you moves
- The artificial intelligent camera detects the movement of the car ahead of you
- 3-axis accelerometer detects your movement and stays silent while you are moving

