



**DIGITAL SECURITY SYSTEMS**  
*PRODUCT INFORMATION*

We are committed to 100% Customer Satisfaction in product and service. This pledge is not just something we preach, but it's also something we practice. From your first phone call to your final transaction, we are right alongside you every step of the way, supporting and guiding your product decisions. Offering a superior line of products gives our OEMs, Dealers, and Distributors a competitive edge in the market. Chiefly, we are a service company that is committed to selling top of the line digital video equipment. This primary commitment to service is what makes us different.

Delivering success for our clients is the standard on which our company was founded. We place our complete trust in the performance of our equipment and distribute it with the greatest pride. It is exciting to witness how our dealer and distributor base continues to expand with every satisfied customer. We understand that obstacles emerge with every installation or on-site dilemma and we view these adversities as an opportunity to prove our commitment to you, the customer.

Cordially,



Jason Szuch  
President

## DVRS

XOS Series Rackmount DVR	4
XOS Compact DVR	6
DVR Lite	8
DVW-304N	10
DVW-304T	12
DVW-616	14
DVW-816 Stand Alone DVR	16

## MOBILE DVRS

X-Series Mobile DVR	18
Xr4 Mobile Digital Recorder	20
Mobile Accessories	22
DVR Accessories	23

## CAMERAS

The Titan Speed Dome	24
DVW Speed Dome	26
SM1065N/SM1065P	28
G1315NF/G1315PF	29
D2815NVF / D2815PVF	30
D2315NVF/D2315PVF	31
V2315NVF/V2315PVF	32
V2810NVR/V2810PVR	33
A1268NL/A1268PL	34
BE4815NVR/BE4815PVR	35
BE3815NVR/BE3815PVR	36
B2310NVF/B2310PVF	37
ID2810NVF	38
Camera Accessories	39



The Best Just Got Better.

# XOS Series Rackmount DVR

UP TO 480 FPS – 16 OR 32 CHANNELS



## FEATURES

- // Ease of Operation
- // High Speed Recording (Up to 480 FPS)
- // Unalterable Digital Watermark
- // View Cameras in Web Browser (IE)
- // XOS Embedded Reliability with Watchdog Function
- // View Cameras in Web Browser
- // Supplied Remote Viewing Software



## XOS DVR Series



ALTERNATE VIEWS



OPERATING SYSTEM

## SPECIFICATIONS

Server Specs	XOS, Intel Components, Motherboard, 1GB RAM (minimum), USB 2.0
Video Input	4, 8, 16, or 32 BNC Inputs (NTSC), 1 Volt Peak to Peak (75 Ohm)
Video Output	1 SVGA DB 15 Pin (1024x768), 1 RCA Switch Output
Video Compression	Proprietary Algorithm (MPEG 4), Record Resolutions: 640x480, 320x240, 160x120 (File Size: 640x480 6kb, 320x240 3kb, 160x120 1.5kb)
Audio	1, 4, 8 Channels Audio Record and Playback (optional)
Alarm Inputs (varies per unit)	8 or 16 Sensor Inputs
Alarm Outputs (varies per unit)	8 or 16 Relay Inputs
Remote Connectivity (LAN/WAN)	1 RJ-45 10/100 Ethernet Port
Remote Transmission Speed	LAN = 100 FPS
Backup Methods	Floppy Disk, CDR, CDRW, DVD, Local HD, Remote HD, Server, External HD, DAT
Record Mode	24 Hour Motion Detection Recording (all cameras, Pre-alarm Recording, Alarm Input Recording)
Power Source	115-120 VAC; 50-60 Hz, 300 Watt
Operating Temperature	32° - 112°F (Below 90% Relative Humidity)
Dimensions	Standard: 17.5"(W) x 7"(H) x 20"(D)
Weight	Standard: 50lbs (may vary)
Options	Video Loop Outs, 8 Channels of Audio, POS Server & Client Software, Printed Manual, Removable Hard Drive, 3 Year Software Upgrade

Model	Display FPS	Record FPS	Camera Inputs	Standard Storage Drive	Operating System	PTZ	Alarm In	Alarm Out	Network	DVD-RW	POS	Max Internal HD TB	Parts	Warranty Labor	Warranty Software
DVW-16R030XOS	30	30	16	250 GB	XOS	YES	8	8	YES	YES	OPT.	7.5	5 YEARS	1 YEAR	1 YEAR
DVW-16R120XOS	120	120	16	250 GB	XOS	YES	8	8	YES	YES	OPT.	7.5	5 YEARS	1 YEAR	1 YEAR
DVW-16R240XOS	240	240	16	250 GB	XOS	YES	8	8	YES	YES	OPT.	7.5	5 YEARS	1 YEAR	1 YEAR
DVW-16R480XOS	480	480	16	250 GB	XOS	YES	8	8	YES	YES	OPT.	7.5	5 YEARS	1 YEAR	1 YEAR
DVW-32R480XOS	480	480	32	250 GB	XOS	YES	8	8	YES	YES	OPT.	7.5	5 YEARS	1 YEAR	1 YEAR

# XOS Compact DVR

UP TO 120 FPS - 4, 8, 16 CHANNELS



## FEATURES

- // Ease of Operation
- // Unalterable Digital Watermark
- // Integrated Point-of-Sale/ATM Interface (Optional)
- // View Cameras in Web Browser (IE)
- // XOS (Windows OS Embedded Reliability with Watchdog Function)
- // View Cameras in Web Browser and Supplied Remote Viewing Software



## XOS DVR Series



ALTERNATE VIEWS



OPERATING SYSTEM

## SPECIFICATIONS

Server Specs	XOS, Intel Components, Motherboard, 1GB RAM (minimum), USB 2.0
Video Input	4, 8, or 16 BNC Inputs (NTSC), 1 Volt Peak to Peak (75 Ohm)
Video Output	1 SVGA DB 15 Pin (1024x768), 1 RCA Switch Output
Video Compression	Proprietary Algorithm (MPEG 4), Record Resolutions: 640x480, 320x240, 160x120 File Size: 640x480 6kb, 320x240 3kb, 160x120 1.5kb
Audio	1 Channel Audio Record and Playback
Alarm Inputs (varies per unit)	8 or 16 Sensor Inputs (optional)
Alarm Outputs (varies per unit)	8 or 16 Relay Inputs (optional)
Remote Connectivity (LAN/WAN)	1 RJ-45 10/100 Ethernet Port
Remote Transmission Speed	LAN = 100 FPS
Backup Methods	Floppy Disk, CDR, CDRW, DVD, Local HD, Remote HD, Server, External HD, DAT
Record Mode	24 Hour Motion Detection Recording (all cameras), Pre-alarm Recording, Alarm Input Recording
Power Source	115-120 VAC; 50-60 Hz, 300 Watt
Operating Temperature	32° - 112°F
Operating Humidity	Below 90% Relative Humidity
Dimensions	Standard: 13.5"(W) x 5.5"(H) x 15"(D)
Weight	Standard: 30lbs (may vary)
Options	8 Channels of Audio, POS Server & Client Software, Printed Manual, 3 Year Software Upgrade

Model	Display FPS	Record FPS	Camera Inputs	Standard Storage Drive	Operating System		Alarm In	Alarm Out	Network	DVD-RW	POS	Max Internal HD TB	Warranty		
					PTZ	OS							Parts	Labor	Software
DVW-04C030XOS	30	30	4	250 GB	XOS	OPT	OPT	OPT	YES	YES	OPT	1.5	5 YEARS	1 YEAR	1 YEAR
DVW-08C030XOS	30	30	8	250 GB	XOS	OPT	OPT	OPT	YES	YES	OPT	1.5	5 YEARS	1 YEAR	1 YEAR
DVW-16C030XOS	30	30	16	250 GB	XOS	OPT	OPT	OPT	YES	YES	OPT	1.5	5 YEARS	1 YEAR	1 YEAR
DVW-04C20XOS	120	120	4	250 GB	XOS	OPT	OPT	OPT	YES	YES	OPT	1.5	5 YEARS	1 YEAR	1 YEAR
DVW-08C120XOS	120	120	8	250 GB	XOS	OPT	OPT	OPT	YES	YES	OPT	1.5	5 YEARS	1 YEAR	1 YEAR
DVW-16C120XOS	120	120	16	250 GB	XOS	OPT	OPT	OPT	YES	YES	OPT	1.5	5 YEARS	1 YEAR	1 YEAR

# Lite DVR

30 & 120 FPS – 4, 8, OR 16 CHANNELS



## Lite DVR



ALTERNATE VIEWS



OPERATING SYSTEM

### SPECIFICATIONS

Server Specs	XOS Operating System, Intel Components, Motherboard, 256MB RAM, USB 2.0
Video Input	4, 8, or 16 BNC Inputs (NTSC), 1 Volt Peak to Peak (75 Ohm)
Video Output	1 SVGA DB 15 Pin (1024x768), 1 RCA Switch Output
Video Compression	Propriety Algorithm (MPEG 4), Record Resolutions: 640x480, 320x240, 160x120 File Size: 640x480 6kb, 320x240 3kb, 160x120 1.5kb
Audio	1 Channel Audio Record and Playback
Alarm Inputs (varies per unit)	n/a
Alarm Outputs (varies per unit)	n/a
Remote Connectivity (LAN/WAN)	1 RJ-45 10/100 Ethernet Port
Remote Transmission Speed	LAN = 100 FPS
Backup Methods	Floppy Disk, CD or DVR, Local HD, Remote HD, Server, External HD, DAT
Record Mode	24 Hour Motion Detection Recording (all cameras), Pre-alarm Recording, Alarm Input Recording
Power Source	115-120 VAC; 50-60 Hz, 300 Watt
Operating Temperature	32° - 112°F (Below 90% Relative Humidity)
Dimensions	Standard: 13.5"(W) x 5.5"(H) x 15"(D)
Weight	Standard: 30lbs (may vary)

### FEATURES

- // Ease of Operation
- // Digital Image Quality 320x240 or 680x480
- // Unalterable Digital Watermark
- // View Cameras in Web Browser (IE)
- // Multi-Screen viewing in live and Playback modes
- // View Cameras in Web Browser and Supplied Remote Viewing Software



	Model	Display FPS	Record FPS	Camera Inputs	Standard Storage Drive	Operating System	PTZ	Alarm In	Alarm Out	Network	DVD RW	POS	Max Internal HD TB	Warranty	
														Parts	Labor
	LTI-040C030XOS	30	30	4	250 GB	XOS	n/a	n/a	n/a	YES	YES	NO	500	1 YEAR	1 YEAR
	LTI-080C030XOS	30	30	8	250 GB	XOS	n/a	n/a	n/a	YES	YES	NO	500	1 YEAR	1 YEAR
	LTI-160C030XOS	30	30	16	250 GB	XOS	n/a	n/a	n/a	YES	YES	NO	500	1 YEAR	1 YEAR
	LTI-040C120XOS	120	120	4	250 GB	XOS	n/a	n/a	n/a	YES	YES	NO	500	1 YEAR	1 YEAR
	LTI-080C120XOS	120	120	8	250 GB	XOS	n/a	n/a	n/a	YES	YES	NO	500	1 YEAR	1 YEAR
	LTI-160C120XOS	120	120	16	250 GB	XOS	n/a	n/a	n/a	YES	YES	NO	500	1 YEAR	1 YEAR

# DVW-304N



## FEATURES

- // High Quality Realtime Display - Max. 120FPS (NTSC) 100FPS (PAL)
- // High Quality and High Speed Recording - Max. 120FPS (NTSC) 100FPS (PAL)
- // Various Resolutions on Display and Recording - 704x480, 704x240, 352x240(NTSC), 704x576, 704x288, 352x288 (PAL)
- // MPEG4 compression
- // View Cameras in Web Browser and Supplied Remote Viewing Software
- // Watermark Function
- // Remote viewing via network and supplied remote viewing software
- // Emergency Screen Auto Transfer to Center Software
- // User friendly Graphic User Interface

## DVW-304N



### ALTERNATE VIEWS

### SPECIFICATIONS

Display	Speed	NTSC : 120FPS PAL : 100FPS
	ScreenDivision	1, 4 Division
Recording	Max. Speed (@ CIF)	NTSC : 120FPS PAL : 100FPS
Video	Resolution	NTSC : 704x480, 704x240, 352x240 PAL: 704 x 576, 704 x 288, 352x288
	Recording Option	Continuous, Motion, Sensor and Pre-Alarm
	Format	NTSC/PAL
	CODEC	MPEG4
	Input	4ch
	Output	7Wide LCD (800x480), CVBS 1 Port (Quad)
	Hard Disk Storage	80 GB
Audio	Input	1ch (line input)
	Output	1ch
	CODEC	ADPCM
Alarm	Input	2Ports
	Output	2Ports
Network	Transmission	Ethernet(RJ45)
	Protocol	TCP/IP(support dynamic IP)
Backup	Device	USB, Network
Other Function	Remote Control	RemoteSoftware (CMS)
	Remote Alarm	E-mail, CMS report
	PTZ	RS232C/485
	W/D Function	Yes
	Image Authentication	Watermark
	Language	10 Languages
	Password	Multi-Level User Password Authorization
USB	1 Port (USB2.0)	
Working Temperature		0~ +40
PowerSource		AC 12V, 50/60Hz (Adaptor included)
Dimensions		7.32"(W) x 2.36"(H) x 10.08"(D)
Weight (net)		5.94 lbs.

# DVW-304T



## DVW-304T



ALTERNATE VIEWS

### SPECIFICATIONS

Display	Speed	NTSC: 120FPS; PAL: 100FPS
	ScreenDivision	1,4 Division
Recording	Max. Speed (@ CIF)	NTSC: 120FPS; PAL: 100FPS
Video	Resolution	NTSC: 704x480, 704x240, 352x240 PAL: 704x576, 704x288, 352x288
	Recording Option	Continuous, Motion, Sensor and Pre-Alarm
	Format	NTSC/PAL
	CODEC	MPEG4
	Input	4ch
	Output	CVBS, Spot out (1ch quad), VGA, S-Video
	Hard Disk Storage	80 GB
Audio	Input	4ch (line input)
	Output	1ch
	CODEC	ADPCM
Alarm	Input	4 ports
	Output	4 ports
Network	Transmission	Ethernet (RJ45)
	Protocol	TCP/IP (support dynamic IP)
Backup	Device	USB, Network
Other Function	Remote Control	Remote Software (CMS)
	Remote Alarm	E-mail, CMS report
	PTZ	RS232C/485
	W/D Function	Yes
	Image Authentication	Watermark
	Language	10 Languages
	Password	Multi-Level User Password Authorization
USB	3 Port (USB2.0)	
Working Temp.		32° - 122°F
PowerSource		AC100 ~ 240V, 50/60Hz
Dimensions		8.46"(W) x 3.46"(H) x 14.57"(D)
Weight (net)		11 lbs.

### FEATURES

- // High Quality Realtime Display – Max.120FPS (NTSC), 100FPS (PAL)
- // High Quality and High Speed Recording – Max. 120FPS (NTSC), 100 (PAL)
- // Watermark Function
- // Remote viewing via network and supplied remote viewing software
- // User-Friendly Graphic User Interface
- // View Cameras in Web Browser and Supplied Remote Viewing Software

# DVW-616



## FEATURES

- // High Quality Realtime Display  
Max. 480FPS(NTSC) 400FPS(PAL)
- // High Quality and High Speed Recording  
Max. 120FPS(NTSC) 100(PAL)
- // 1, 4, 9, 16 Division
- // Remote Observation through Network
- // User Friendly Graphic Interface
- // View Cameras in Web Browser and Supplied Remote Viewing Software

## DVW-616



ALTERNATE VIEWS

## SPECIFICATIONS

Display	Speed	NTSC: 480FPS, PAL:400FPS
	Screen Division	1, 4, 9, 16 Division
Recording	Max. Speed (@ CIF)	NTSC:120FPS, PAL: 100FPS
	Resolution	NTSC: 704x480,704x240, 352x240 PAL: 704x576, 704x288, 352x288
Video	Recording Option	Continuous, Motion, Sensor, Pre-Alarm
	Format	NTSC/PAL
	CODEC	MPEG4
	Input	16ch
	Output	VGA,CVBS, S-Video, Programmable spotout(1ch quad, 4chfull)
Audio	Hard Disk Storage	250 GB
	Input	4ch (lineinput)
	Output	1ch
Alarm	CODEC	ADPCM
	Input	16 Ports
Network	Output	4 Ports
	Transmission	Ethernet (RJ45), PSTN (optional)
Backup	Protocol	TCP/IP (support dynamic IP)
	Device	USB, CD-RW, SCSI, IEEE1394, Network, DVD-RW (optional)
Other Function	Remote Control	Remote Software (CMS)
	Remote Alarm	E-mail, CMS report
	PTZ	RS232C/485
	W/D Function	Yes
	Image Authentication	Watermark
	Language	10 Languages
	Password	Multi-Level User Password Authentication
	USB	2 Ports (USB2.0)
Working Temperature		0°C ~ +50°C
Power Source		AC 100 ~ 240V, 50/60Hz
Dimensions		16.93"(W) x 3.46"(H) x 19.02"(D)
Weight (net)		23.1 lbs.

# DVW-816



## FEATURES

- // Easy Operation with User Friendly GUI & On-Screen Menu
- // 16 Channel Real-Time Display, 480 FPS Record
- // MPEG 4 Image Compression (2-3Kb average image file size)
- // High Image Quality
- // Mouse Control, IR Remote
- // View Cameras in Web Browser and Supplied Remote Viewing Software

## DVW-816



ALTERNATE VIEWS

## SPECIFICATIONS

Video Input	16 Channels Composite Video (NTSC/PAL)
Video Output	16 Video Loop Channels, 5 Spot Out, 1 S-Video, 1 VGA
Audio Input	16 Channel
Audio Output	2 Channel
Video Compression	MPEG 4, Engine-X (2-3Kb File Size)
Audio Compression	Built-in Speaker, Line out
Recording Speed	480 FPS Global (NTSC)
Display Speed	480 FPS (NTSC), (Real-time)
Display Mode	1, 4, 6, 9, 16 Division
Alarm In	16 Channels
Alarm Out	4 Channels
Record Resolution	704x480, 704x240, 352x240
Picture Quality	High Image Quality
Motion Detection	User Defined motion detection with audible alarm
Hard Disk Storage	250 GB (Max. 4HDD)
Functions	Continuous, Motion Detection, Schedule, Sensor, Pre-alarm modes, Back-up, etc.
Search Function	Date, Time, Camera
Pan/Tilt/Zoom Control	Control up to 4 PTZ cameras (RS-422)
Security Function	Password
Operating System	Embedded Linux, Triplex
Back-up Function	Automatic & Manual Back-up through Network Drive, CD-RW, USB Port, SCSI, IEEE 1394
Network connection	WAN/LAN 80-100 FPS
Remote Control	IR Remote, Mouse (PS/2)
Working Temperature	32° - 122°F
Power	AC 115-230V, 60-50Hz, 4-2A
Dimension	15.75"(W) x 3.94" (H) x 18.7"(D)
Weight	22.05 lbs (HDD x 4)
Options	Remote Control, HD Storage

# X-Series Mobile DVR



## FEATURES

- // 4 or 8 Channels of Video Input
- // Real-time (30 FPS) of Continuous Video Recording and Display
- // MPEG-4 Compression
- // Passive GPS (optional)
- // Solid State Memory (optional)
- // View Cameras in Web Browser and Supplied Remote Viewing Software

## Mobile DVR



ALTERNATE VIEWS



SPECIFICATIONS	X4	X8
Video Input	4	8
Video Output	3 = 1 Primary / Advertising, 1 Multiplexed Security View, 1 VGA (15 Pin)	
Audio Input	4	
Audio Output	1	
Video Compression	Hardware MPEG - 4	
Display FPS (NTSC)	120	
Record FPS (NTSC)	120	
Recorded Image Size	CIF (352x240), HD1 (720x240), D1 (720x480)	
Quality Setting	8 Selectable Image Quality Settings	
Alarm In	8	
Vehicle Information Overlay	Turn Signal (right/left), Brake, Reverse, Hazard, Speed (also by GPS)	
Record Mode	Continuous, Alarm, Schedule, Motion Detection	
Hard Disk Storage Size	40, 60, 80, 100, 160 GB in anti-vibration enclosure (Seagate)	
Hard Disk Dimension	2x5" Notebook HDD (Seagate)	
Video Over Right	First In First Out (FIFO), FAT32 Format	
Search	Search by Time, Date, and Alarm Event	
Security Function	Multi-Level Password	
Operating System	Embedded Linux	
Back-up	USB to PC, CF (Compact Flash) and software	
Network	TCP/IP 10/100 RJ45 Ethernet	
Serial Interface	4-RS232	
Time Clock	Built-in time clock, Perpetual Calendar, Day Night Savings (NTP and GPS time sync)	
Power Input	12VDC 2AMP (can range from 7V ~ 28V DC)	
Power Output	12VDC	
Operating Temperature	-20 – 140F (Below 85% Relative Humidity)	
Dimensions	7.1"(W) x 1.8" (H) x 6.9"(D)	
IR Remote	Included (for programming and search)	
Docking Station	Yes	Yes
Control Panel Option	Yes	
Accelerometer Option	Yes	
Weight	5 lbs.	

# Xr4 Mobile Digital Recorder



## FEATURES

- // Removable HDD
- // Stand Alone NON-PC Embedded Operating System (RTOS)
- // 4 Channels Video Inputs and 4 Channels Video Outputs

## Mobile DVR



ALTERNATE VIEWS



## SPECIFICATIONS

Physical Foot Print	Height	2.6 "
	Width	9.5 "
	Depth	6.9 "
	Weight	5 lbs
Value-added Function	Motion Detection	Each channel up to 192 detection zone, sensitivity adjustable
	Record Mode	Manual, continuous, schedule, event, motion detection and pre-event recording
Others	HDD	Removable HDD Bay – 1 IDE HDD, FAT32 format
	Storage Mode	2.5" HDD
	Time Clock	Built-in clock, perpetual calendar
	GPS Function	Optional for built-in module with GPS antenna
	Wireless Communication	EDGE/GPRS/CDMA wireless transmission
	Data R/W mode	FIFO
Environment	Time Synch	GPS Time Synch / NTP (Network Time Protocol) Time Synch via network connection
	Operating Temperature	-40°C - 40°C (w/o HDD), 0-40°C (w HDD) (Below 80% Relative Humidity)
	Vibration Resistance	Up to 2Grms
System	Shock Resistance	Up to 1,200G rms
	OS	Linux (providing standalone stable operation system)
	Operation Interface	Hand-held, IR controller with On-Screen Display (OSD) for all operations of the MDR
	Storage	60, 80, 120 and 160 GB (2.5 in. mobile anti-vibration and shock resistance HDD support)
Video	Signal System	NTSC/PAL
	Input Voltage	12-volt DC
	Camera Input	Up to 4 cameras
	Display	4 Video Window Screens
	Image Quality	8 – level adjustable
	Fwd/Playback speed	x2, x4, x1/2, x1/4
	Stream Standard	ISO14969
	Record Resolution	CIF(352x288 pixels for PAL, 352x240 pixels for NTSC), 1/2D1 (720x288 pixels for PAL, 720x240 pixels for NTSC), D1 (720x576 pixels for PAL, 720x480 pixels for NTSC)
	Image Compression	4.8K-256KB/s
	Max FPS	25 / 30 FPS (25/30 FPS/CH at CIF, 12.5/15 FPS/CH at HD1, 6.25/7.5 FPS/CH at D1)
Audio	Display Res.	TV Monitor 720x576 / 720x480 pixels (D1)
	Audio Input	4 (stereo)
	Audio Output	2 (stereo)
I/O Interface	Audio Compression	AMR
	TV-OUT	2 Composite Outputs with BNC connectors
	LAN	1(RJ-45) 10M/100M Ethernet connector
	USB	2, support USB Technology (USB1.0)
Network	Serial	RS-232x2
	Protocol	TCP/IP
Alarm	Input	3 I/O alarm input, 3 alarm outputs
	Multi-mode	Auto-reset after power-break, auto-alarm when missing signal input, Camera Cover alarm
Power Requirement	Ignition Switch	Device operate once ignition power on/ auto shutdown delay after ignition power off
	Power Adapter	12 V DC. Typical 12V DC @ 5A, 24V @ 3A

**MOBILE – ADD-ONS**

MDR-GPS	// Built-in GPS Module with External Magnetic Antenna (Passive Signal)
MDR-WIFIV	// Vehicle-mounted Wireless Networking Kit. 802.11 B, G. Wireless Bridge, Magnetic Vehicle-mounted Antenna.
MDR-WIFIH	// Outdoor/Indoor Wireless Access Point with Bridging Capability. 802.11 B, G. To Be Installed with MDR-WIFIV.
MDVR-INT	// 3 Axis Inertia Module (Accelerometer)
MDR-GPRS	// External GPRS Wireless Module (Monthly Contract Required)
MDR-CDMA	// External CDMA Wireless Module (Monthly Contract Required)
MDR-EDGE	// External EDGE Wireless Module (Monthly Contract Required)
MDVR-EDVO	// External High Speed EDVO / WiFi Router (Monthly Contract Required)

**MOBILE – MOBILE DVR STORAGE**

MDR-HDD60	// 60 GB HDD Storage – 5 Year Warranty
MDR-HDD80	// 80 GB HDD Storage – 5 Year Warranty
MDR-HDD100	// 100 GB HDD Storage – 5 Year Warranty
MDR-HDD120	// 120 GB HDD Storage – 5 Year Warranty
MDR-HDD160	// 160 GB HDD Storage – 5 Year Warranty

**MOBILE – ACCESSORIES**

MDRREMOTE	// Replacement IR Remote
MDVR-DOCK	// Docking Station
MDVR8-DOCK	// Docking Station (for 8 CH)
MDVR-DCP	// Standard Control Panel (with cable)
MDVR-LBOX	// Lock Box (including anti-vibration absorber)
MDVR-SH	// Anti-Vibration Shock Absorber
MDVR-Heater	// Built-in Heater
MDVR-DCDC	// Power Regulator
CZMP	// Permanent Glass Mount Bracket for In-Car Camera
CZMS	// Suction Cup Mounting Bracket for In-Car Camera
MICBODY	// Wireless Body Mic Kit
MDVR-Radar	// External Radar Overlay Interface Kit
MIC1000	// Covert Mic Kit

\*Contact your authorized DVW dealer for a complete list of DVW mobile DVR accessories.

**MOBILE – PREMIUM ACCESSORIES****Power, Audio, Video Cables**

CEC25	// 25'
CEC34	// 34'
CEC50	// 50'
CEC75	// 75'
MDRPTAIL	(pigtail kit for prem. comp.)

**Monitors**

AOM703	// 7" LCD
AOM7694	// 7" LCD

**Cameras**

VCCS130	// Weather & Vandal Proof
AOC130XP	// Weather & Vandal Proof
VBCSID	// Outdoor Side-body Mount

**MOBILE – CAMERAS**

CN258IR-2.5	2.5mm, indoor IRCN258IR-3.8
CN258IR	3.8mm, indoor IR
CN258IR-8.0	8.0mm, indoor IR
A1268NL	22x zoom
V2315NVD	Vandal proof dome

\*Contact your authorized DVW dealer for a detailed list of DVW mobile DVR camera specifications.

**MOBILE – SOFTWARE**

MDVR-CL	// Enterprise Client Software
MDVR-VA	// Video Analysis Software with Street Level Maps (GPS Plotted Playback)
MDVR-ADVERT	// Firmware Upgrade Allowing Advertising
MDVR-LBA	// Location-Based Advertising Software
MDVR-ADS	// Server 2003, Automatic Download Server – 1TB
MDVR-CMS	// CMS – 100 Vehicles or Less
MDVR-CMS-100	// CMS – Price per Every 100
MDVR-SP	// Annual Support for CMS Software

Expand the functionality of DVW's outstanding mobile DVR's with accessories specifically designed to maximize performance and efficiency.

**DVR – SELLER'S POINT**

SPPOS – Captures data from cash registers in real time. Supports serial and network-based cash registers, and supports a variety of cash register brands through a plug-in system. Digital video recording integration, text overlay, view data and video from any PC on the network or over the Internet. Many options for searching and sorting transaction data.

**DVR – ACCESSORIES/SERVICES**

Printed Manual  
Removable HD Tray  
PTZ Board Option for Compact Case  
Rack Mount Loopouts  
DVR DVW Software Upgrade  
XOS Upgrade (past DVR's)  
4 Audio Channels  
8 Audio Channels  
Expedited Shipping under \$299  
Expedited Shipping above \$999  
NEC LCD 17" Monitor  
NEC LCD 19" Monitor  
NEC LCD 32" Wide Monitor  
NEC LCD 40" Wide Monitor

**DVR – STORAGE UPGRADES**

500GB	2TB	4TB
750GB	2.5TB	5TB
1TB	3TB	7.5TB

**DVR – RAID 5 STORAGE OPTION**

250GB  
500GB  
1.5TB  
2TB

\*Contact your authorized DVW dealer for a complete list of DVW DVR accessories.

DVW carefully inspected and selected these accessories to complement our line of DVR's. Each accessory is engineered to bring out the full potential of DVW's already superior product line.

# THE TITAN Speed Dome

EXPLOSION PROOF | BULLET PROOF | VANDAL PROOF | WATER PROOF (IP68)



Brains & Brawn in One Indestructible Package.

## THE TITAN

### ADDITIONAL ITEMS



TN945BM: Titan Base

### FEATURES

- // Body machined from .2 inches ~ .5 inches thick Aluminum Alloy or Stainless Steel
- // Sealed to IP68, capable of withstanding complete submersion
- // 360° continuous rotation for both pan and tilt
- // Continues to work in extreme temperatures: -40° F to 140° F
- // Certified Explosion-Proof by CNEX/CQST
- // Digital Flip

### SPECIFICATIONS

SPECIFICATIONS	TN612-18S		TN612-26S		TN612-36S	
	NTSC	PAL	NTSC	PAL	NTSC	PAL
Signal System	NTSC	PAL	NTSC	PAL	NTSC	PAL
Camera Model	FCB-EX480	FCB-EX480P	FCB-EX980	FCB-EX980P	FCB-EX1000	FCB-EX1000P
Picture Elements	~380K (768x494)	~440K (752x582)	~380K	~440K	~380K	~440k
Horizontal Resolution	480TVL		480TVL		480TVL	
Image Sensor	1/4" type IT CCD (EX view HAD)		1/4" Super HAD CCD		1/4" type EX view HAD CCD	
Optical Zoom	18x		26x		36x	
Digital Zoom	12x		12x		12x	
Lens	F=4.1mm~73.8mm, F=1.4~3		F=2.5mm~91mm, F=1.6~3.8		F=3.4mm~122.4mm, F=1.6~4.5	
Angle of View	54.2°(W) to 2.2°(T)		54.2°(W) to 2.2°(T)		57.8°(W) to 1.7°(T)	
Synchronization	Internal/External (V-lock)		Internal/External (V-lock)		Internal/External (V-lock)	
Min. Illumination	0.1Lux/1/4sec	0.1Lux/1/3sec	0.2Lux/1/4sec	0.2Lux/1/3sec	.01Lux/1/4sec	0.1Lux/1/3sec
Color B/W	0.01Lux/1/4sec	0.01Lux/1/3sec	0.01Lux/1/4sec	0.01Lux/1/3sec	0.01Lux/1/4sec	0.01Lux/1/3sec
S/N Ratio	>50dB		>50dB		>50dB	
BLC	ON/OFF		ON/OFF		ON/OFF	
Shutter speed	1/1 to 1/10000sec	1/1 to 1/10000sec	1/4 to 1/10000sec	1/3 to 1/10000sec	1/4 to 1/10000sec	1/3 to 1/10000sec
Shutter	Auto/Manual		Auto/Manual		Auto/Manual	
White Balance	Auto/Manual		Auto/Manual		Auto/Manual	
Gain Ctrl	Auto/Manual		Auto/Manual		Auto/Manual	
Video Output	VBS:1Vp-p (sync negative), Y/C		VBS:1Vp-p (sync negative), Y/C		VBS:1Vp-p (sync negative), Y/C	
Iris Ctrl	Auto/Manual		Auto/Manual		Auto/Manual	
Focus Ctrl	Auto/Manual		Auto/Manual		Auto/Manual	
Rotation Speed	150°/sec.		150°/sec.		150°/sec.	
Operating Temp.	-40°F - 140°F		-40°F - 140°F		-40°F - 140°F	
Weight	Alum. w/o base: 25lbs; Steel w/o base: 50lbs		Alum. w/o base: 25lbs; Steel w/o base: 50lbs		Alum. w/o base: 25lbs; Steel w/o base: 50lbs	



// REMOTE CONTROL AVAILABLE

REMOTE ACCESS CAMERA

# DVW Speed Dome



complete control at your fingertips.

## DVW SPEED DOME CAMERA

### ADDITIONAL ITEMS



### FEATURES

- // 18x, 22x, 23x, 26x, and 36x Optical Zoom
- // Day/Night Function
- // 360° Continuous Pan
- // Common RS-485 PTZ Protocol, (P, D, and via Coax)
- // Pendant and Ceiling Mounts Available

### SPECIFICATIONS

MODEL	DVW-D18C-P	DVW-D22CL-I	DVW-D22CL-D	DVW-D22CL-P	DVW-D23S-P	DVW-D26S-P	DVW-D36SS-P
CCD	1/4"	1/4"	1/4"	1/4"	1/4"	1/4"	1/4"
Video Connector	BNC Female	BNC Female	BNC Female	BNC Female	BNC Female	BNC Female	BNC Female
Pixel	752x494 NTSC	752x494 NTSC	752x494 NTSC	752x494 NTSC	752x494 NTSC	752x494 NTSC	752x494 NTSC
TVL	480 Color	480 Color	480 Color	480 Color	480 Color/570 B/W	480 Color/570 B/W	480 Color/570 B/W
Sensitivity	.05 Lux	.05 Lux	.05 Lux	.05 Lux	Color: 0.1 Lux B/W: 0.01 Lux	Color: 0.7Lux/1/3sec B/W: 0.001Lux/1/3sec	Color: 0.7Lux/1/3sec B/W: 0.001Lux/1/3sec
Zoom Length	4.1 – 73.8 mm	4 – 88 mm	4 – 88 mm	4 – 88 mm	3.6 – 82.8 mm	3.5-91mm	3.5-126mm
Optical Zoom	18x	22x	22x	22x	23x	26x	36x
Digital Zoom	12x	12x	12x	10x	10x	12x	12x
Aperture (F)	1.6 F	1.6 F	1.6 F	1.6 F	1.6 F	1.6 F	1.6 F
Pan Motion Range	360°	360°	360°	360°	360°	360°	360°
Tilt Motion Range	+2°-92°	+2°-92°	+2°-92°	+2°-92°	+2°-92°	+2°-92°	+2°-92°
Shutter Speed	1/2 – 1/30000s	1/2 – 1/30000s	1/2 – 1/30000s	1/2 – 1/30000s	1/4 – 1/10000s	1/4 – 1/10000s	1/4 – 1/10000s
Pan Speed	.05° - 250°/s	.05° - 250°/s	.05° - 250°/s	.05° - 250°/s	.05° - 250°/s	.05° - 250°/s	.05° - 250°/s
Tilt Speed	.05° - 200°/s	.05° - 200°/s	.05° - 200°/s	.05° - 200°/s	.05° - 200°/s	.05° - 200°/s	.05° - 200°/s
BLC	On/Off	On/Off	On/Off	On/Off	On/Off	On/Off	On/Off
White Balance	Manual/Auto	Manual/Auto	Manual/Auto	Manual/Auto	Manual/Auto	Manual/Auto	Manual/Auto
Gain Control	Manual/Auto	Manual/Auto	Manual/Auto	Manual/Auto	Manual/Auto	Manual/Auto	Manual/Auto
S/N Ratio	50dB	50dB	50dB	50dB	50dB	50dB	50dB
Day/Night	No	No	No	No	Yes	Yes	Yes
Video Output	1.0 ± 0.07 Vp-p	1.0 ± 0.07 Vp-p	1.0 ± 0.07 Vp-p	1.0 ± 0.07 Vp-p	1.0 ± 0.07 Vp-p	1.0 ± 0.07 Vp-p	1.0 ± 0.07 Vp-p
Supply Voltage	24VAC	24VAC	24VAC	24VAC	24VAC	24VAC	24VAC
Power Consumption	16W	16W	16W	16W	40W	40W	40W
Temp	32-140° F	32-140° F	32-140° F	32-140° F	-58-140° F	-58-140° F	-58-140° F
Weight	13 lbs	13 lbs	13 lbs	13 lbs	14 lbs	14 lbs	14 lbs
Humidity	0-95%	0-95%	0-95%	0-95%	0-95%	0-95%	0-95%
Control	P/D	P/D	P/D	P/D	P/D	P/D	P/D
Environment	Outdoor	Indoor	Indoor	Outdoor	Outdoor	Outdoor	Outdoor
Mount	Pendant	Ceiling	Pendant	Pendant	Pendant	Pendant	Pendant

### OPTIONAL MODELS

- DVW-D18C-I: Speed Dome, Color, indoor, in-ceiling mount, 18x optical, 10x digital, (P,D)
- DVW-D18C-D: Speed Dome, Color, indoor, pendant mount, 18x optical, 10x digital, (P,D)
- DVW-D18C-P: Speed Dome, Color, outdoor, pendant mount, 18x optical, 10x digital, (P,D)
- DVW-D22CL-I: Speed Dome, Color, indoor, in-ceiling mount, 22x optical, 10x digital, (P,D, Coax)
- DVW-D22CL-D: Speed Dome, Color, indoor, pendant mount, 22x optical, 10x digital, (P,D, Coax)
- DVW-D22CL-P: Speed Dome, color, outdoor, pendant mount, 22x optical, 10x digital, (P,D, Coax)
- DVW-D23S-P: Speed Dome, day/night, outdoor, pendant mount, 23x optical, 10x digital, (P,D)
- DVW-D26S-P: Speed Dome, day/night, outdoor, pendant mount, stabilization, 26x optical, 10x digital, (P,D)

# SM1065N



## FEATURES

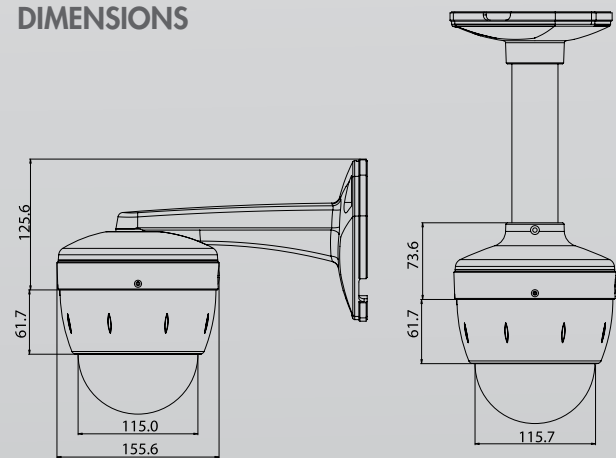
- // 100x Zoom (10x Optical / 10x Digital)
- // User-Friendly Installation
- // Pan/Tilt Maximum Rotating Speed is 360°/Sec.
- // Electronic Sensitivity-Up (DSS)
- // True Day & Night (ICR)

### OPTIONAL MODEL

- SM1063N/SM1063P : 12VDC



### DIMENSIONS



SPECIFICATIONS	SM1065N	SM1065P
Video Signal System	NTSC	PAL
CCD	1/4" Interline Transfer CCD	
Max. Pixels	811(H) x 508(V) 410K	795(H) x 596(V) 470K
Effective Pixels	768(H) x 494(V) 380K	752(H) x 582(V) 440K
Horizontal Res.	500 TV Lines(Color), 570 TV Lines(B/W)	
S/N Ratio	50 dB (AGC Off)	
Zoom	x10 Optical Zoom, x10 Digital Zoom	
Focal length	F1.8, f=3.8-38mm	
Min. illumination	0.7Lux (Color) / 0.02Lux (B/W), 50IRE	
Day & Night	Auto / Day / Night(ICR)	
Focus	Auto / Manual / SemiAuto	
Iris	Auto / Manual	
Shutter Speed	x128 ~ 1/120000sec	
AGC	Normal / High / Off	
White Balance	Auto / Manual(Red, Blue Gain Adjustable)	
BLC	Low / Middle / High / Off	
Flickerless	Selectable	
Digital Noise Reduction	Low / Middle / High / Off	
Range	Pan 360°(Endless)	Tilt 180°(Auto-Flip), 95°(Normal)
Pan/Tilt Speed	Preset 360°/sec	Manual 0.05 ~ 360°/sec (Proportional to Zoom)
	Swing 1~ 180°/sec	
Pan/Tilt	Preset 127 Preset (Label, Camera Image Setting)	
	Pattern 4 Pattern, 1200 commands (about 5 minute)/ Pattern	
	Swing 8 Swing	
	Group 8 Group (20 action entities per Group)	
	Other Functions Auto Flip, Auto Parking, Power Up Action etc.	
Communication	RS-485	
Protocol	Pelco-D, Pelco-P selectable	
Privacy Zone	4 Zone	
Alarm Input	4 Input	
OSD	Menu / PTZ information etc	
General	Rated Power SM1063N(P) DC 12V / 0.8A	SM1065N(P) AC 24V / 0.4A
Dimension	Dome : Ø115, Housing : Ø147.5 x 141(H) mm	
Weight	Approx.2.20 lbs.	
Operating Temp.	0°C ~ 40°C	

\* Specifications of this product can be subjected to change without notice.  
\*\* Check the voltage and current capacity of rated power carefully.

# G1315NF



## FEATURES

- // 1/3 inch Sony Super HAD CCD
- // High Resolution : 550 TV Lines
- // Day&Night (ICR)
- // Auto White Balance
- // AGC, BLC, Flickerless (On/Off)
- // Min. Illumination : 0.1 Lux (Night)

### OPTIONAL MODEL

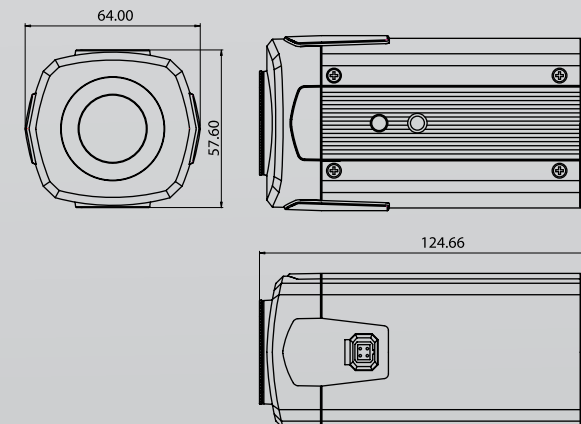
- G1315N/G1315P : 1/3" SONY Super HAD CCD, 550TVL, 410K Pixels, DC/Video Iris, 0.3 Lux, AWC, AGC On/Off, BLC On/Off, 12VDC/24VAC Dual Voltage
- G3005N/G3005P : 1/3" SONY Super HAD CCD, 270K Pixels, 0.1 lx, AGC on/off, BLC on/off, AWB, DC/VIDEO Iris, C/CS Mount, 12VDC/24VAC Dual Voltage

### OPTIONAL ACCESSORY

- WMB50/65/80 : Wall Mount Bracket



### DIMENSIONS



SPECIFICATIONS	G1315NF	G1315PF
Signal System	NTSC	PAL
Scanning System	2:1 Interlace	
Sync. System	Internal	
Scanning Freq. (H)	15.734 kHz	15.625 kHz
Scanning Freq. (V)	59.94 kHz	59.94 kHz
Image Sensor	1/3 Inch SONY Super HAD CCD	
Total Pixels	811(H) x 508(V) 410K	795(H) x 596(V) 470K
Total/ Effective Pixels	768(H) x 494(V) 380K	752(H) x 582(V) 440K
Horizontal Resolution	550 TV Lines	
Lens Mount	C/CS Mount	
Video Output	Composite: 1.0V p-p 75Ω. Unbalanced	
S/N Ratio	More than 48dB (AGC Off)	
Min. Illumination	0.3 Lux (Normal) 0.1 Lux(B/W)	
Shutter Speed	1/60-1/100,000 Sec	1/50-1/100,000 Sec
Camera Control	DIP Switch	
White Balance	AUTO	
AGC, BLC, Flickerless	On/Off	
Day & Night (IRC)	Auto	
Power Consumption	Max. 7W/ 600mA	
Supplied Voltage	AC24V or DC12V Dual Voltage	
Dimensions	63.99(W) x 57.60(H) x 124.66 (D) mm	
Weight	Approx. 0.69 lbs.	

# D2815NVF



## FEATURES

- // 1/3" Sony Super HAD CCD
- // Super-High Resolution: 550 TV Lines
- // TDN(ICR), 2x Digital Zoom (On/Off)
- // Min. Illumination: 0.001 Lux (DSS On, B/W)
- // Super Digital Noise Reduction (SDNR)

### OPTIONAL MODEL

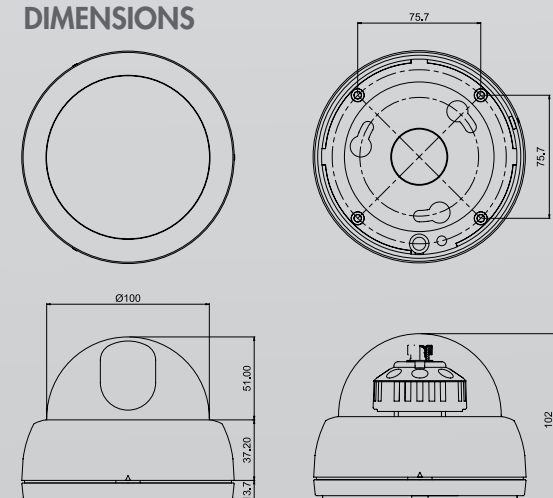
-Contact your authorized DVW dealer to learn more about additional D2815NVF models.

### OPTIONAL ACCESSORY

- WDB100 : Wall Mounting Bracket



### DIMENSIONS



SPECIFICATIONS	D2815NVF	D2815PVF
Signal System	NTSC	PAL
Scanning System	2:1 Interlace	
Scanning Frequency (H)	15.734 kHz	15.625 kHz
Scanning Frequency (V)	59.94 Hz	50 Hz
Image Sensor	1/3 Sony Super HAD CCD	
Sync. System	Internal	
Total Pixels	811(H) x 508(V) 410K	795(H) x 596(V) 470K
Effective Pixels	768(H) x 494(V) 380K	752(H) x 582(V) 440K
Horizontal Resolution	550 TV Lines	
Video Output	1.0V p-p (75Ω, Composite)	
S/N Ratio	More than 50dB(AGC Off)	
Lens	DC Iris Vari-focal Lens (f=2.9~10mm, F1.2)	
Digital Zoom Ratio	2x Digital Zoom	
Day & Night Type	Electronic Sensitivity-up (DSS), ICR (AGC type)	
Digital Slow Shutter	Max. 32FLD (On/Off)	
Min. Illumination	0.1 Lux (Color), 0.001 Lux (DSS On, B/W)	
Digital Noise Reduction	Auto	
DIP SW Control (On/Off)	AGC, BLC, Flickerless, D.Zoom, DSS, D/N	
White Balance	Auto	
Electronic Shutter Speed	1/60 Sec.	1/50 Sec.
Supplied Voltage	24VAC(20V~28V) / 12VDC(10V~15V)	
Power Consumption	Max. 3W	
Camera Construction	3-Axis Movement for Free Lens Rotation	
Dimensions	100 x 102(H) mm	
Weight	Approx. 0.81 lbs.	

# D2315NVF



## FEATURES

- // 1/3" Sony Super HAD CCD
- // Super High Resolution: 550 TV Lines
- // Built-in DC Iris Vari-focal Lens (f=4~9mm)
- // Extra Video Out Port for Easy Installation
- // 3-Axis Movement for Free Lens Rotation
- // Dome Size 100mm
- // 24VAC/12VDC
- // Audio Function (Option)

### OPTIONAL MODEL

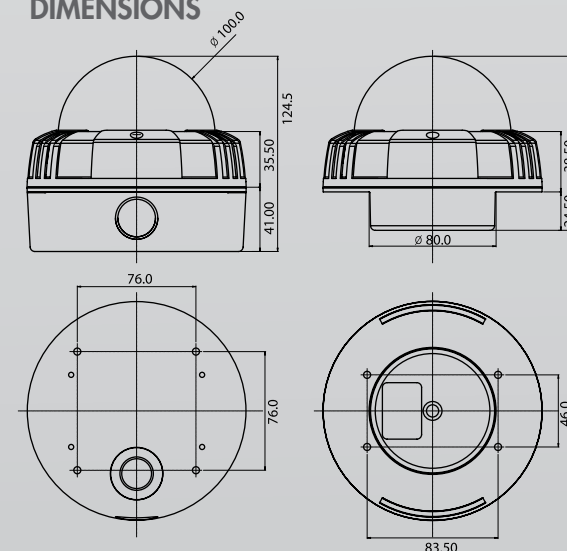
- D2005NVD/D2005PVD  
: 380TVL, without TDN(ICR), Built-in DC Iris Vari-focal Lens (f=4~9mm), 24VAC/12VDC

### OPTIONAL ACCESSORY

WVB100 : Wall Mount Bracket



### DIMENSIONS



SPECIFICATIONS	D2315NVF	D2315PVF
Signal System	NTSC	PAL
Scanning System	2:1 Interlace	
Scanning Frequency (H)	15.734 kHz	15.625 kHz
Scanning Frequency (V)	59.94 Hz	50 Hz
Image Sensor	1/3 Sony Super HAD CCD	
Sync. System	Internal	
Total Pixels	811(H) x 508(V) 410K	795(H) x 596(V) 470K
Effective Pixels	768(H) x 494(V) 380K	752(H) x 582(V) 440K
Horizontal Resolution	550 TV Lines	
Video Output	1.0V p-p (75Ω, Composite)	
S/N Ratio	More than 50dB(AGC Off)	
Lens	DC Iris Vari-focal Lens (f=2.9~10mm, F1.2)	
Digital Zoom Ratio	2x Digital Zoom	
Day & Night Type	Electronic Sensitivity-up (DSS), ICR (AGC type)	
Digital Slow Shutter	Max. 32FLD (On/Off)	
Min. Illumination	0.1 Lux (Color), 0.001 Lux (DSS On, B/W)	
Digital Noise Reduction	Auto	
DIP SW Control (On/Off)	AGC, BLC, Flickerless, D.Zoom, DSS, D/N	
White Balance	Auto	
Electronic Shutter Speed	1/60 Sec.	1/50 Sec.
Supplied Voltage	24VAC(20V~28V) / 12VDC(10V~15V)	
Power Consumption	Max. 3W	
Camera Construction	3-Axis Movement for Free Lens Rotation	
Dimensions	Ø100 x 102(H) mm	
Weight	Approx. 0.81 lbs.	

# V2315NVF



## FEATURES

- // 1/3" Sony Super HAD CCD
- // Super High Resolution: 550 TV Lines
- // Polycarbonate Dome & Die Casting Housing
- // 3-Axis Movement for Free Lens Rotation
- // Built-in Heater (Option)

### OPTIONAL MODEL

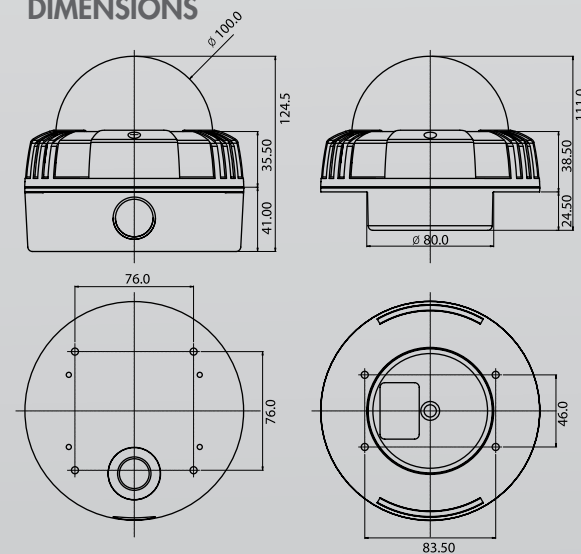
- V2315NVD/V2315PVD: without TDN(ICR), 24VAC/12VDC

### OPTIONAL ACCESSORY

WVB100 : Wall Mount Bracket



### DIMENSIONS



SPECIFICATIONS	V2315NVF	V2315PVF
Signal System	NTSC	PAL
Scanning System	2:1 Interlace	
Scanning Frequency (H)	15.734 kHz	15.625 kHz
Scanning Frequency (V)	59.94 Hz	50 Hz
Image Sensor	1/3" Sony Super HAD CCD	
Sync. Sensor	Internal	
Total Pixels	811(H) x 508(V) 410K	795(H) x 596(V) 470K
Total / Effective Pixels	768(H) x 494(V) 380K	752(H) x 582(V) 440K
Horizontal Resolution	550 TV Lines	
Video Output level	1.0 Vp-p (75Ω, Composite)	
S/N Ratio	More than 48dB (AGC Off)	
Lens	DC Iris Vari-focal lens (f=2.9~10mm, F1.2)	
Day & Night Type	ICR (AGC type)	
Min. Illumination	0.3 Lux (Color), 0.1 Lux (B/W)	
DIP SW Control (On/Off)	AGC, BLC, Flickerless	
White Balance	Auto	
Electronic Shutter Speed	1/60 Sec.	1/50 Sec.
Supplied Voltage	24VAC (20V-28V) / 12VDC (10V-15V)	
Power Consumption	Max. 5W	
Camera Construction	3-Axis Movement for Free Lens Rotation	
Dimensions	100 x 124.5 mm	
Weight (Net)	Approx. 2.67 lbs.	

# V2810NVR



## FEATURES

- // 1/3" Sony Super HAD CCD
- // High Resolution: 550 TV Lines
- // True Day & Night (ICR), 2x Digital Zoom (On/Off)
- // Electronic Sensitivity-up (DSS On/Off)
- // Vandal-proof Dome Housing

### OPTIONAL MODEL

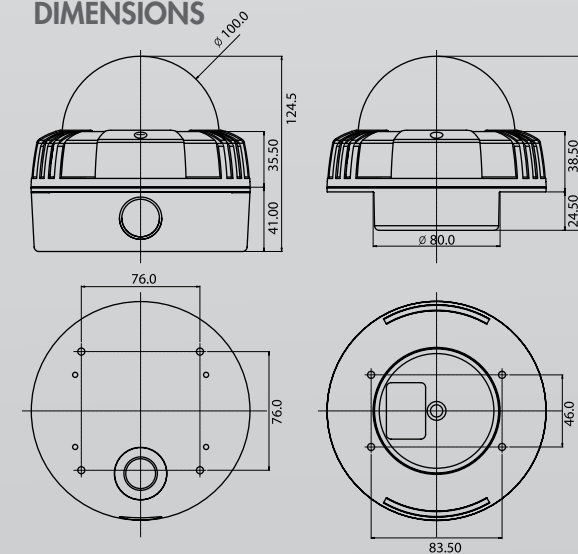
-Contact your authorized DVW dealer to learn more about additional V2810NVR models.

### OPTIONAL ACCESSORY

WVB100 : Wall Mount Bracket



### DIMENSIONS



SPECIFICATIONS	V2810NVR	V2810PVR
Signal System	NTSC	PAL
Scanning System	2:1 Interlace	
Scanning Frequency (H)	15.734 kHz	15.625 kHz
Scanning Frequency (V)	59.94 Hz	50 Hz
Image Sensor	1/3" Sony Super HAD CCD	
Total Pixels	811(H) x 508(V) 410K	795(H) x 596(V) 470K
Total / Effective Pixels	768(H) x 494(V) 380K	752(H) x 582(V) 440K
Horizontal Resolution	550 TV Lines	
Video Output	1.0V p-p (75Ω, Composite)	
S/N Ratio	More than 50dB(AGC Off)	
Lens	DC Iris Vari-focal Lens (f=3.8~9.5mm)	
Digital Zoom Ratio	2x (On/Off, Dip Switch)	
Min. Illumination	Day (0.3 Lux), Night (0.00 Lux, ICR & DSS)	
Day & Night (ICR)	On/Off (Dip Switch0)	
SDNR	No	
DSS	On/Off (Dip Switch)	
White Balance	Auto	
Shutter Speed	1/60 ~ 1/120000 Sec.	1/50 ~ 1/120000 Sec.
Supplied Voltage	DC 12V	
Power Consumption	Max 1.8W / 150mA	
Dimensions	Surface: 100 x 124.5 mm Flush: 100 x 111 mm	
Weight	Approx. 2.67 lbs.	

# A1268NL



## FEATURES

- // 1/4" Sony Super HAD CCD
- // High Resolution: 480 TV Lines
- // 22x Optical Power Zoom Lens
- // 10x Digital Zoom (Max. 220x)
- // Electronic Sensitivity-up (DSS)

### OPTIONAL MODEL

-Contact your authorized DVW dealer to learn more about additional A1268NL models.

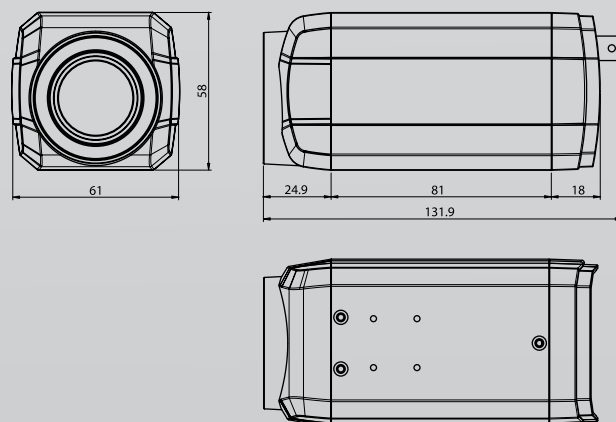
### OPTIONAL ACCESSORY

- IRC100/IRC200 : Wireless IR Remote Controllers
- WMB50/WMB65/WMB80 : Universal Mounting Brackets
- WMB200 : Wall Mounting Bracket



A1268NL/A1268PL

### DIMENSIONS



SPECIFICATIONS	A1268NL	A1268PL
Signal System	NTSC	PAL
Scanning System	2:1 Interlace	
Scanning Frequency (H)	15.734 KHz	15.625 KHz
Scanning Frequency (V)	59.94 Hz	50 hz
Image Sensor	1/4" Sony Super HAD CCD	
Sync. System	Internal	
Total Pixels	811(H) x 508(V) 410K	795(H) x 596(V) 470K
Total / Effective Pixels	768(H) x 494(V) 380K	752(H) x 582(V) 440K
Horizontal Resolution	480 TV Lines	
Video Output Level	1.0V p-p (75Ω, Composite)	
S/N Ratio	More than 48dB (AGC Off)	
Lens	22x Optical Zoom (F1.6(W), F5.5(T), f=3.9-85.8mm) Video AF	
Digital Zoom Ratio	10x Digital Zoom	
Focus Mode	Auto/Manual	
Day & Night Type	Electronic Sensitivity-up (DSS)	
Digital Slow Shutter	Off/2FLD-128FLD Mode	
Min. Illumination	Day (0.1 Lux), Night (0.001 Lux, DSS)	
OSD (On-Screen Display)	On/Off	
BLC	On/Off	
White Balance	Auto	
Mirror Function	On/Off	
Electronic Shutter Speed	1/60-1/10000 Sec.	1/50 ~ 1/10000 Sec.
Camera Control	Rear Botton,RS485 (Pelco-D)	
Input/Output Connector	Power: 2 Pin Terminal / Control: 5 Pin Terminal / Video Output: BNC	
Supplied Voltage	24VAC(20V-28V) / 12VDC(11V-15V)	
Power Consumption	Max. 6W / 0.5A	
Dimensions	61(W) x 58(H) x 131.9(D) mm	
Weight	Approx. 0.66 lbs.	

# BE4815NVR



## FEATURES

- // 1/3" Sony Super HAD CCD
- // High Resolution: 550 TV Lines
- // True Day & Night (ICR)
- // Electronic Sensitivity-up (DSS)
- // Weather-proof Housing

### OPTIONAL MODEL

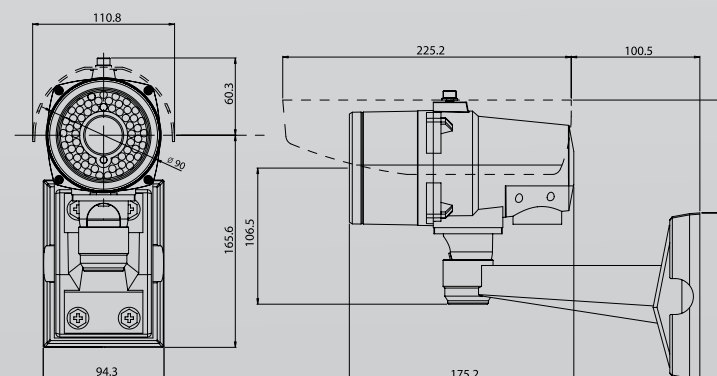
-Contact your authorized DVW dealer to learn more about additional BE4815NVR models.

### ACCESSORIES

-Contact your authorized DVW dealer to learn more about additional BE4815NVR accessories.

SPECIFICATIONS	BE4815NVR	BE4815PVR
Signal System	NTSC	PAL
Scanning System	2:1 Interlace	
Scanning Frequency (H)	15.734 KHz	15.625 KHz
Scanning Frequency (V)	59.94 Hz	50 hz
Image Sensor	1/3" Sony Super HAD CCD	
Total Pixels	811(H) x 508(V) 410K	795(H) x 596(V) 470K
Total / Effective Pixels	768(H) x 494(V) 380K	752(H) x 582(V) 440K
Horizontal Resolution	550 TV Lines	
Video Output	1.0V p-p (75Ω, Composite)	
S/N Ratio	More than 50dB (AGC Off)	
Lens	DC Iris Vari-focal Lens (f=3.8-9.5mm F1.2)	
Min. Illumination	Day (0.3 Lux), Night (0.00 Lux, IR LED On)	
IR LED and Sensor	IR LED 56EA (850nm, 15°, 30° Mixed), Sensor 1EA	
IR LED Visible Range	Max. 50m	
Day & Night (ICR)	ICR (Sensor Type)	
White Balance	Auto	
AGC, BLC, Flickerless	On/Off	
IP Rating	IP65	
Supplied Voltage	AC 24V / DC 12V	
Dimensions	110.8(W) x 218.6(H) x 325.7(D) mm	
Weight	Approx. 3.53 lbs.	

### DIMENSIONS



# BE3815NVR



## FEATURES

- // 1/3" Sony Super HAD CCD
- // Super High Resolution: 550 TV Lines
- // TDN (ICR), 2x Digital Zoom
- // Built-in IR LED (42EA) & Sensor (1EA)
- // Min. Illumination: 0 Lux (IR LED On)

### OPTIONAL MODEL

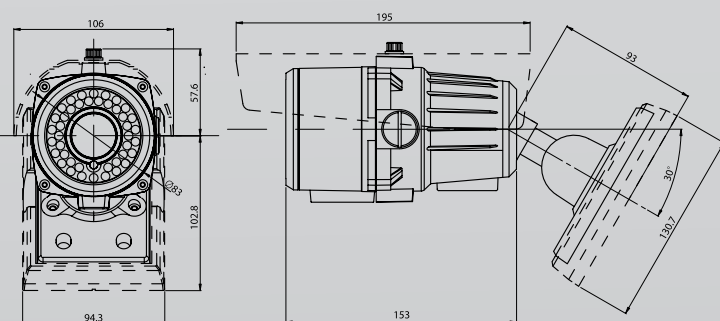
-Contact your authorized DVW dealer to learn more about additional BE3815NVR models.

### ACCESSORIES

-Contact your authorized DVW dealer to learn more about additional BE3815NVR accessories.

SPECIFICATIONS	BE3815NVR	BE3815PVR
Signal System	NTSC	PAL
Scanning System	2:1 Interlace	
Scanning Frequency (H)	15.734 kHz	15.625 kHz
Scanning Frequency (V)	59.94 Hz	50 Hz
Image Sensor	1/3" Sony Super HAD CCD	
Sync. System	Internal	
Total Pixels	811(H) x 508(V) 410K	795(H) x 596(V) 470K
Effective/Total Pixels	768(H) x 494(V) 380K	752(H) x 582(V) 440K
Horizontal Resolution	550 TV Lines	
Video Output Level	1.0V p-p (75Ω, Composite)	
S/N Ratio	More than 50dB (AGC Off)	
Lens	DC Iris Vari-focal Lens (f=3.8~9.5mm, F1.2)	
Digital Zoom Ratio	2x Digital Zoom (On/Off)	
Day & Night Type	Electronic Sensitivity-up (DSS), ICR (Sensor type)	
IR LED & Sensor	IR LED 42EA (850nm 15°, 30°), Sensor 1EA	
IR Visible Range	Max. 40m	
Min. Illumination	0.3 Lux (Color), 0.008 Lux (DSS 32FLD), 0 Lux (IR LED On)	
Digital Noise Reduction	Auto	
AGC	On/Off	
BLC, Flickerless	On/Off	
White Balance	Auto	
Electronic Shutter Speed	1/60 Sec.	1/50 Sec.
Input/Output Connector	Video Output, Power Input	
Operating Temperature	-10°C~+45°C (Fan Off, Heater Off), -30°C~+50°C (Fan On, Heater On)	
Supplied Voltage	24VAC(24V~28V) / 12VDC(11V~15V)	
Power Consumption	Max.11W / 1.4A	
Dimensions	83x 160.4(H) mm	
Weight	Approx. 2.43 lbs.	

### DIMENSIONS



# B2310NVF



## FEATURES

- // 1/3" Sony Super HAD CCD
- // High Resolution: 550 TV Lines
- // Built-in DC Iris Vari-focal Lens (f=3.8~9.5mm)
- // True Day & Night (ICR)
- // Built-in IR LED(18EA) and Sensor(1EA)

### OPTIONAL MODEL

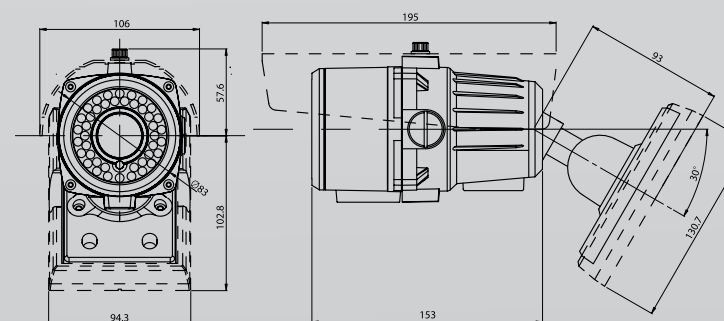
-Contact your authorized DVW dealer to learn more about additional B2310NVF models.

### OPTIONAL ACCESSORY

WVB100 : Wall Mount Bracket

SPECIFICATIONS	B2310NVF	B2310PVF
Signal System	NTSC	PAL
Scanning System	2:1 Interlace	
Scanning Frequency (H)	15.734 KHz	15.625 KHz
Scanning Frequency (V)	59.94 Hz	50 hz
Image Sensor	1/3" Sony Super HAD CCD	
Total Pixels	811(H) x 508(V) 410K	795(H) x 596(V) 470K
Total / Effective Pixels	768(H) x 494(V) 380K	752(H) x 582(V) 440K
Horizontal Resolution	550 TV Lines	
Video Output	1.0V p-p (75Ω, Composite)	
S/N Ratio	More than 50dB (AGC Off)	
Lens	DC Iris Vari-focal Lens (f=3.8~9.5mm)	
Min. Illumination	Day (0.3 Lux), Night (0.00 Lux, IR LED On)	
IR LED and Sensor	IR LED 18EA (850nm, 30°) 18EA, Sensor 1EA	
IR LED Visible Range	Max. 20m	
Day & Night (ICR)	Auto	
White Balance	Auto	
AGC, BLC, Flickerless	On/Off (Dip Switch)	
Shutter Speed	1/60~1/100000 Sec.	1/50~1/100000 Sec.
Supplied Voltage	DC 12V	
Power Consumption	Max 6W/0.5A	
Dimensions	78.0 x 150.0mm	
Weight	Approx. 1.76 lbs.	

### DIMENSIONS



# ID2810NVF



## FEATURES

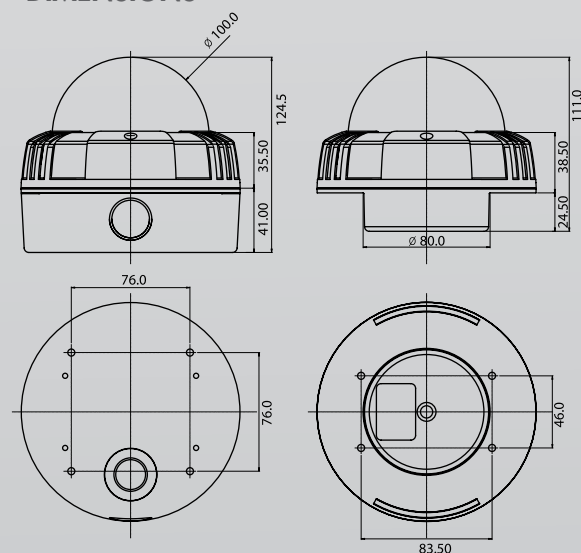
- // 1/3" Sony Super HAD CCD
- // Super High Resolution: 550 TV Lines
- // Built-in DC Iris Vari-focal Lens (f=4~9mm)
- // RTOS, max. 30FPS
- // Embedded Streaming Video & Web Server

### OPTIONAL MODEL

- ID2410NVD/ID2410PVD : 480TVL, without (TDN(ICR), D-Zoom, SDNR)
- ID2700N/ID2700P : 380TVL, Built-in Fixed Lens (3.8mm), without (TDN(IC), D-Zoom, SDNR)



### DIMENSIONS



SPECIFICATIONS	ID2810NVF	ID2810PVF
Signal System	NTSC	PAL
Scanning System	2:1 Interlace	
Scanning Frequency (H)	15.734kHz	15.625kHz
Scanning Frequency (V)	59.94kHz	50kHz
Image Sensor	1/3" Sony Super HAD CCD	
Sync. System	Internal	
Total Pixel Number	811(H) x 508(V) 410K	795(H) x 596(V) 470K
Effective Pixels Number	768(H) x 494(V) 380K	752(H) x 582(V) 440K
Horizontal Resolution	550 TV Lines	
Video Output Level	1.0V p-p, 75Ω, Composite	
S/N Ratio	More than 50dB (AGC Off)	
Lens	DC Iris Vari-focal lens (f=4.9mm, F1.5)	
Digital Zoom Ratio	2x Digital Zoom (On/Off)	
Day & Night Type	Electronic Sensitivity-up (DSS), ICR(AGC Type)	
Min. Illumination	0.3 Lux (Color) / 0.1 Lux (B/W) / 0.008 Lux (DSS x32, Color) / 0.001 Lux (DSS x32 B/W)	
Digital Noise Reduction (SDNR)	Auto	
AGC	On/Off	
BLC, Flickerless	On/Off	
White Balance	Auto/Hold/Manual	
Electronic Shutter Speed	1/60 Sec	1/50 Sec
CPU	32bit Embedded RISC Process	
OS	Embedded RTOS	
Compression	Video: MPEG 4, Audio: ADPCM	
Frame Rate	Max. D1 30FPS(NTSC), 25FPS(PAL)	
Resolution	704x480, 352x240	704x576, 352x288 176x144
Audio Way Port	2way Audio	
Protocol	Http, TCP/IP, ARP, FTP, PPP, SMTP, ICMP, DHCP, RTP, RTSP, SDP, PPPoE	
LAN Interface	Ethernet 10/100 Base-T (RJ-45 Type)	
Browser	IE 5.0 or Higher	
OS	Windows 2000 Professional / Windows XP Professional / Windows XP Home Edition	
Application	Web Viewer (Windows Web Browser Base) XNET-NVR	
Remote System Upgrade	Support Manual Upgrade	
Motion Detection	Support 3 Region	
Wireless Connection	IEEE 802.11b/g (Option: WD1810xF)	
DDNS	X-DSL / Cable modem DDNS Server (www.ipDVTree.com)	
Install Unit	IP-Installer MAC Clone	
Access Level Setup	Admin define level user setup Authentication for monitoring Video/Audio Directional Level Viewing	
Network Security	IP Filtering	
Alarm Input/Output	1 Input (NC/NO Selectable) / 1 Output (Relay)	
Operating Temperature	0°C - 40°C	
Power	DC 12V (7-23V) Max. 8W	

## MOUNTS

- WVB100 // Wall Mount Bracket for Vandal Proof Dome Camera
- WMB200 // Wall Mount Bracket for DVW Zoom and Standard Cameras
- WMB65 // Ceiling and Wall Mount Bracket for DVW Weather Proof IR Camera
- DVW-XM-S // Speed Dome Wall Mount Bracket, Short, Aluminum
- DVW-WM-L // Speed Dome Wall Mount Bracket, Long, Aluminum
- DVW-CMT //Speed Dome Corner Mount for Wall Mount Bracket (works only with long arm mount)

## LENS

- GL0560AV // f=2.8mm ~12mm, F1.4, Auto Iris(DC)
- GL2812AV // f=3.3mm ~ 8.0mm, F1.4, Auto Iris(DC)
- GL3308AV // f=2.5mm ~ 6.0mm, F1.4, Auto Iris(DC)
- GL2506AV // f=3.0mm ~ 8.5mm, F1.0, Auto Iris(DC)
- GL3085AV // f=7.5mm ~ 500mm, F1.3, Auto Iris(DC)
- GL7550AV // f=4.0mm, F1.6
- EVD0416 // f=8.0mm, F1.6
- EVD0816 // f=12.0mm, F1.6

## CONTROLLERS

- DVW-KDB-D // Speed Dome Keyboard with 3 Axis Joystick

## THE TITAN BASES

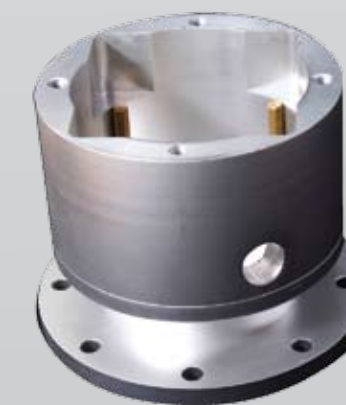
- TN945BM // Base Mount Bracket. Aluminum.
- TN612-WM // Wall Mount Bracket. Aluminum.

\*Contact your authorized DVW dealer for a complete list of DVW camera accessories.

DVW's accessories not only expand and enhance the capabilities of DVW'S cameras, but they also are manufactured with the same attention to detail that makes other DVW products great.



\* DVW KDB-D



\* TN945BM

**DIGITAL VIDEO WITNESS** A SAY Security Group USA LLC Technology

---

520 E. Montford Ave. PO Box 294, Ada, OH 45810  
Phone: 800-464-0831 | Fax: 800-464-0832 | Email: [sales@digitalvideowitness.com](mailto:sales@digitalvideowitness.com)

*More information available online at [www.digitalvideowitness.com](http://www.digitalvideowitness.com)*