



-V2810NVR/V2810PVR

100mm Vandal-Resistant Dome Camera



Features

- 1/3 inch Sony Super HAD CCD
- High Resolution : 550 TV Lines
- Built in DC Iris Vari-focal Lens (f=3.8~9.5mm)
- **True Day&Night (ICR), 2x Digital Zoom (On/Off)**
- Electronic Sensitivity-up (DSS On/Off)
- **12V DC Supplied Voltage**
- Auto White Balance
- AGC, BLC, Flickerless (On/Off)
- Min : Day (0.3Lux), Night(0.001Lux, ICR&DSS)
- Extra Video Out Port for Installer
- 3—Axis Camera Construction
- Vandal-proof Dome Housing
- Dome Size : 100mm
- Heater Optional
- **Installed by Flush or Surface Mount**

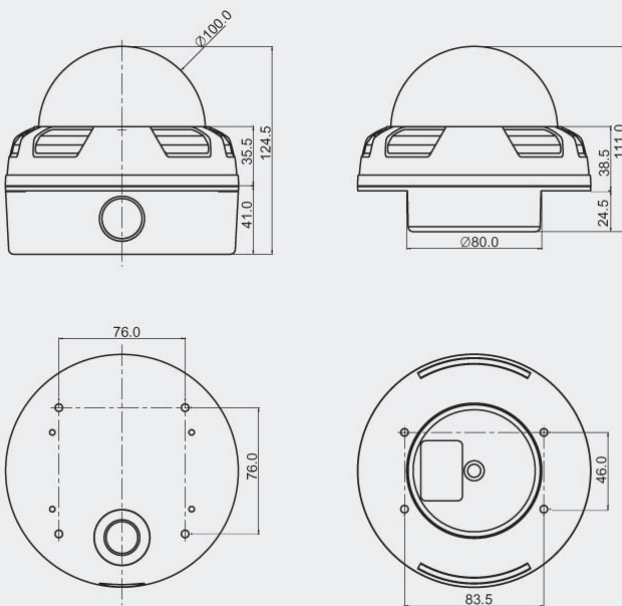


ACCESSORY

- CNB-WWB100 : Wall Mount Bracket for Vandal Proof Dome Camera



DIMENSIONS



SPECIFICATIONS

Model	-V2810NVR	-V2810PVR
Signal System	NTSC	PAL
Scanning System	2:1 Interlace	
Scanning Frequency (H)	15.734 KHz	15.625 KHz
Scanning Frequency (V)	59.94 Hz	50 Hz
Image Sensor	1/3 Inch SONY Super HAD CCD	
Total Pixels	811(H) x 508(V) 410K	795(H) x 596(V) 470K
Total / Effective Pixels	768(H) x 494(V) 380K	752(H) x 582(V) 440K
Horizontal Resolution	550 TV Lines	
Video Output	1.0V p-p (75Ω, Composite)	
S/N Ratio	More than 50dB(AGC Off)	
Lens	DC Iris Vari-focal Lens (f=3.8~9.5mm)	
Digital Zoom Ratio	2x (On/Off, Dip Switch)	
Min.Illumination	Day (0.3 Lux), Night(0.001, ICR&DSS)	
Day&Night (ICR)	On/Off (Dip Switch)	
SDNR	No	
DSS	On/Off (Dip Switch)	
White Balance	Auto	
AGC,BLC,Flickerless	On/Off (Dip Switch)	
Shutter Speed	1/60~1/120,000 Sec.	1/50~1/120,000sec.
Supplied Voltage	DC 12V	
Power Consumption	Max. 1.8W / 150mA	
Heater (Option)	Operation Temperature : Under 10?	
Dimensions(ØxH)	Surface : 100.0 x 124.5 mm Flush : 100.0 x 111.0 mm	
Weight	Approx. 1210g	